

Version 1.02  
January 17, 2017

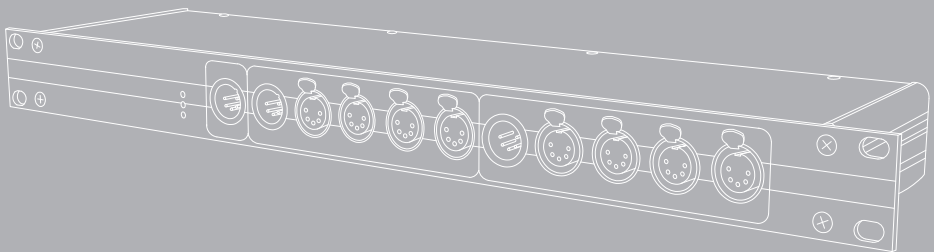
User manual

# DMX

# Splitter PRO

# Splitter PRO DUO

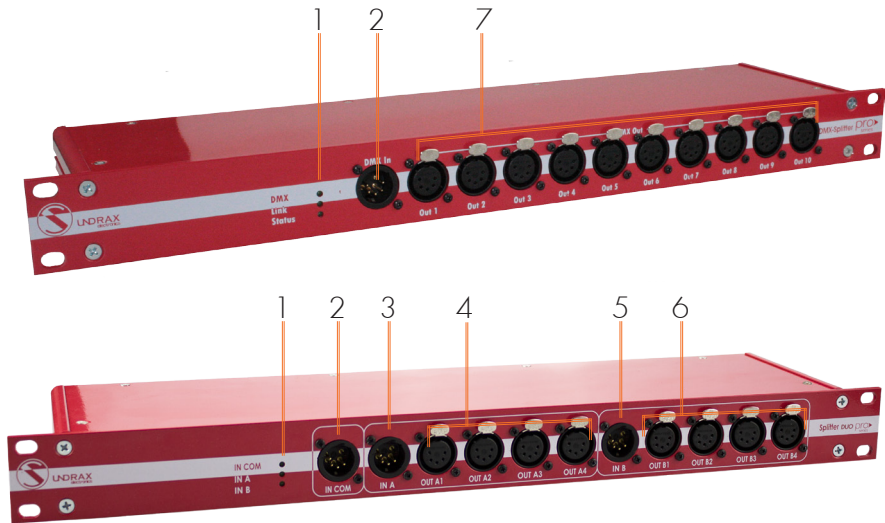
SPP-X-1D5D, SPP-X-1D10D, SPPD-X-3D8D



# Table of contents

1	Visual appearance
1	Specifications
2	Safe operation
2	General information
3	Installation
4	Connection scheme
6	Technical maintenance
7	Notes

# Visual appearance



Pic.1 Main interfaces and indicators

1	Input indicators	2	Common input	3	Input A
4	A1...A4 inputs	5	Input B	6	B1...B4 outputs
7	1...10 outputs				

# Specifications

Supported protocols	DMX512, RDM
DMX data refresh rate	44 Hz
DMX input ports	1 or 3 isolated
DMX output ports	5,8 or 10 isolated
DMX connectors	XLR (5 pins, 3 pins) or RJ-45 (etherCON)
Mounting	Rack
Power supply	~90-250 VAC, 50/60 Hz
Mains Fuse	0.5 A
Input power	5 W
Operating Temperature:	-0°C... +60°C
IP Rating	IP 20
Dimensions, mm	482(D) x 44(H) x 110(W)

## Safe operation



### WARNING!

The device uses hazardous voltage AC 230 V

In installation, operation, preventive maintenance and repairs of the device, the requirements of the safety rules must be followed.

To ensure safe and reliable operation of the devices, please observe the following requirements:

- Use the device only for its intended purpose;
- Do not use devices that shows signs of malfunctioning;
- Avoid strong physical impacts on the device;
- Protect devices and cables from contact with corrosive liquids.

Whenever a fault is detected in the device, please contact the manufacturer.

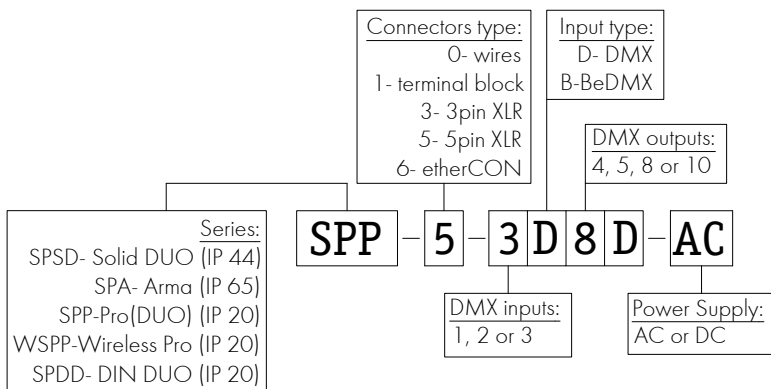
## General information

Splitter PRO and Splitter DUO PRO devices designed for splitting and elongation DMX lines. Modification with one input signal allows to get five or ten output signals. Modification with three input signal can work both in dual channel mode (each of two input signals can be splitted to four outputs), and in common input mode (one input signal can be splitted to eight outputs). Switching between modes occurs automatically in the presence of a signal on any input port. When the signal is present on common input «IN COM» and on section input «IN A» or «IN B», section input has a priority.

### Key features:

- All input and output channels have galvanic isolation.
- Power consumption is less than 3W.
- RJ45 or XLR connectors

## Device modifications:



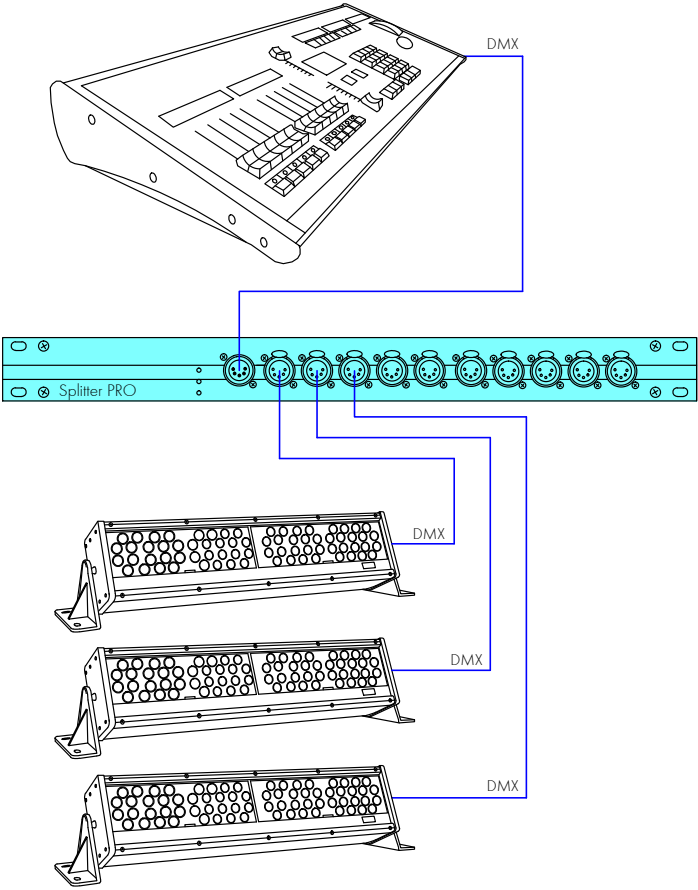
## Installation

Before mounting and power up, it is necessary to verify protective earthing and cable connections.

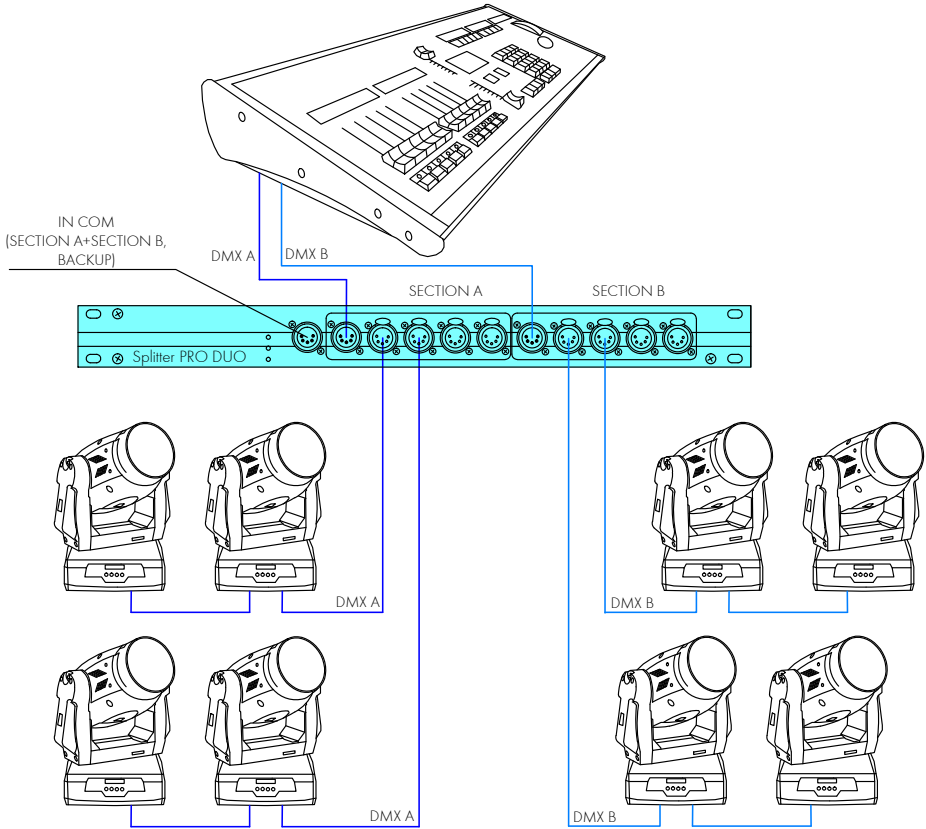
1. Ensure the device has no damage due to transportation.
2. Install the unit into the rack and secure it with screws. Connect the power cable plug to a power outlet.
3. Connect cable to input port «IN» if you use «Splitter PRO» device or to necessary input port (IN COM, IN A or IN B) if you use «Splitter PRO DUO» device. If the input signal is present, the appropriate port indicator lights. If there is no signal, the indicator flashes.
4. Connect the desired number of output lines to the connectors «OUT».
5. The device is ready for use.

# Connection scheme

Device with one input



# Device with three inputs



# Technical maintenance

Maintenance the device, search and troubleshooting should be performed by service personnel. The device should be free from dirt, dents, connecting cables and wires must be intact and securely fastened.



# Notes



Please send all your warranty-related questions to  
[support@sundrax.com](mailto:support@sundrax.com)

*All Sundrax products are covered by a 36 months warranty.*



Sundrax Electronics,  
6008, First Central 200  
2 Lakeside Drive, Park Royal, London  
NW10 7FQ United Kingdom  
+ 44 (0) 208 991 33 19  
office@sundrax.com  
www.sundrax.com